

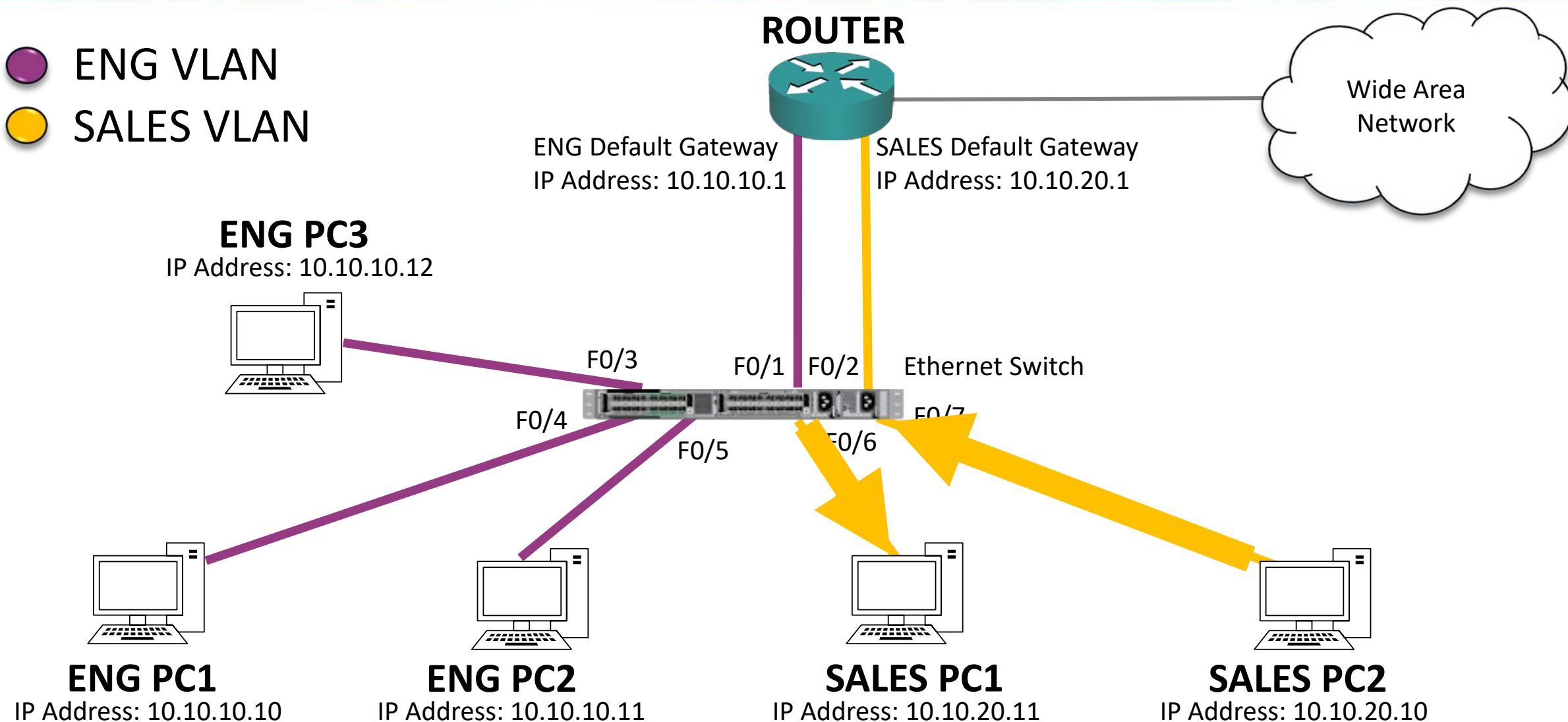
VLAN Access Ports



- VLAN access ports are configured on switch interfaces where end hosts are plugged in
- Access ports are configured with one specific VLAN
- The configuration is all on the switch, the end host is not VLAN aware
- Switches only allow traffic within the same VLAN

Unicast Traffic within same IP subnet

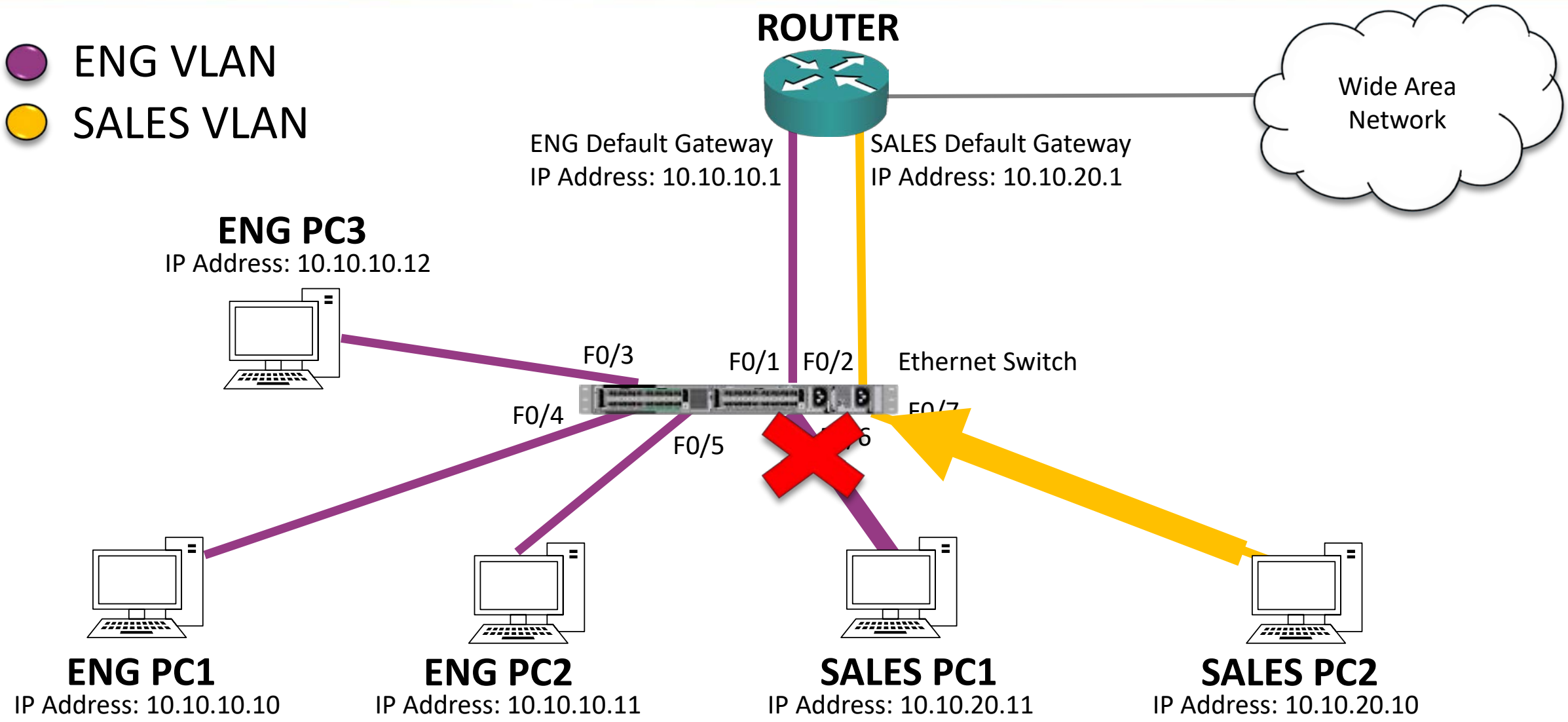
- ENG VLAN
- SALES VLAN



Misconfigured VLAN



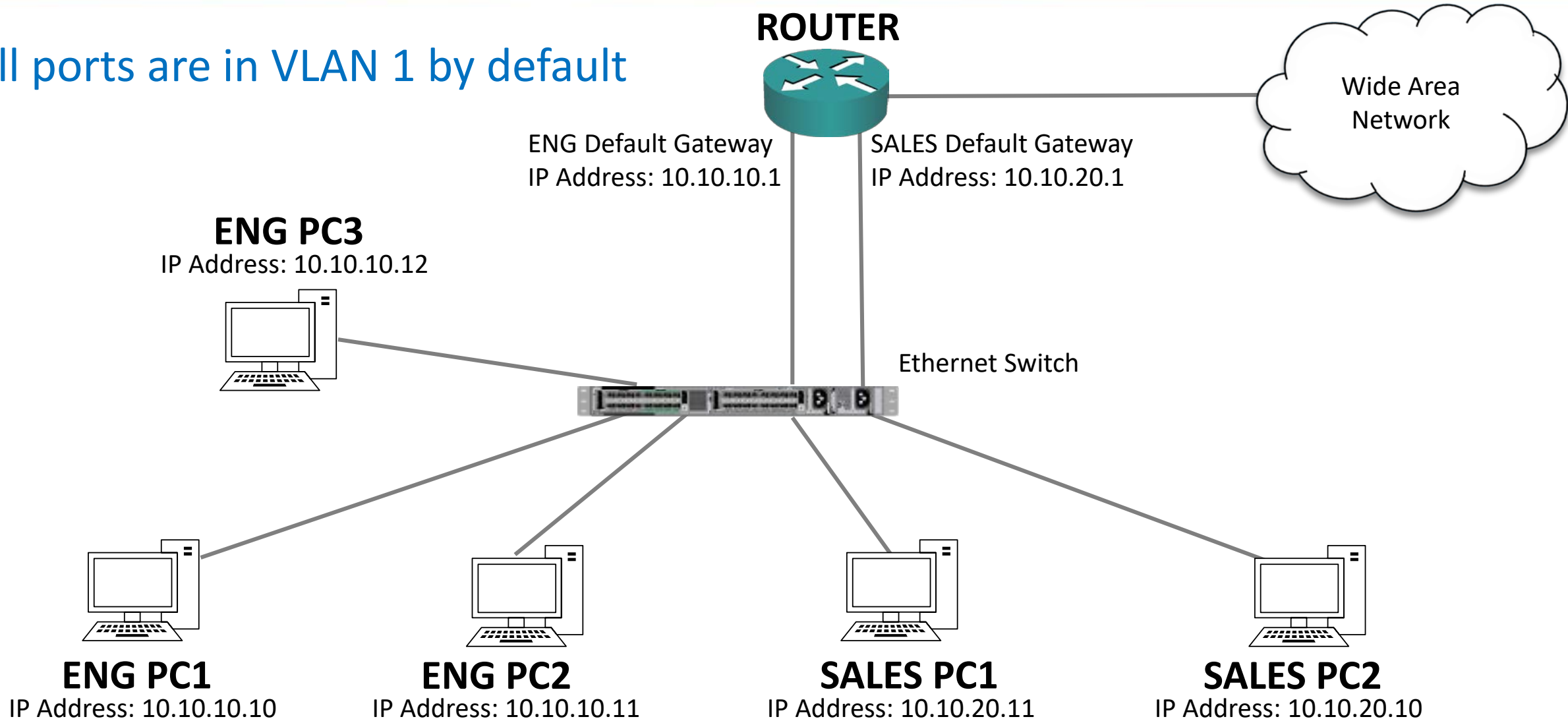
- ENG VLAN
- SALES VLAN



The Default VLAN - VLAN 1



All ports are in VLAN 1 by default



Access Port Configuration – Eng VLAN

```
SW1(config)#vlan 10
```

```
SW1(config-vlan)#name Eng
```

```
SW1(config)#interface FastEthernet 0/1
```

```
SW1(config-if)#switchport mode access
```

```
SW1(config-if)#switchport access vlan 10
```

```
SW1(config)#interface range FastEthernet 0/3 - 5
```

```
SW1(config-if)#switchport mode access
```

```
SW1(config-if)#switchport access vlan 10
```

Access Port Configuration – Sales VLAN

```
SW1(config)#vlan 20
```

```
SW1(config-vlan)#name Sales
```

```
SW1(config)#interface FastEthernet 0/2
```

```
SW1(config-if)#switchport mode access
```

```
SW1(config-if)#switchport access vlan 20
```

```
SW1(config)#interface range FastEthernet 0/6 - 7
```

```
SW1(config-if)#switchport mode access
```

```
SW1(config-if)#switchport access vlan 20
```

Verification – show vlan brief



SW1#show vlan brief

VLAN	Name	Status	Ports
1	default	active	Fa0/8, Fa0/9, Fa0/10, Fa0/11 Fa0/12, Fa0/13, Fa0/14, Fa0/15 Fa0/16, Fa0/17, Fa0/18, Fa0/19 Fa0/20, Fa0/21, Fa0/22, Fa0/23 Fa0/24, Gig0/1, Gig0/2
10	Eng	active	Fa0/1, Fa0/3, Fa0/4, Fa0/5
20	Sales	active	Fa0/2, Fa0/6, Fa0/7
1002	fddi-default	active	
1003	token-ring-default	active	
1004	fddinet-default	active	
1005	trnet-default	active	

Verification – show interface switchport

```
SW1#show interface FastEthernet 0/1 switchport
Name: Fa0/1
Switchport: Enabled
Administrative Mode: static access
Operational Mode: static access
Administrative Trunking Encapsulation: dot1q
Operational Trunking Encapsulation: native
Negotiation of Trunking: Off
Access Mode VLAN: 10 (Eng)
Trunking Native Mode VLAN: 1 (default)
! truncated
```


VLAN Lab

